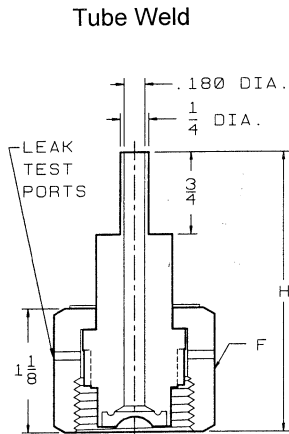


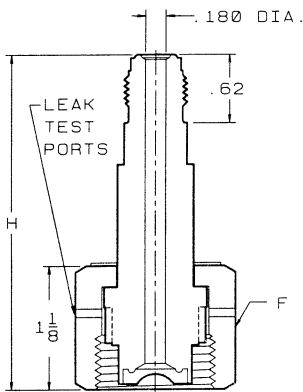
# GasFlo Products

## UHP (DISS) Cylinder Connections

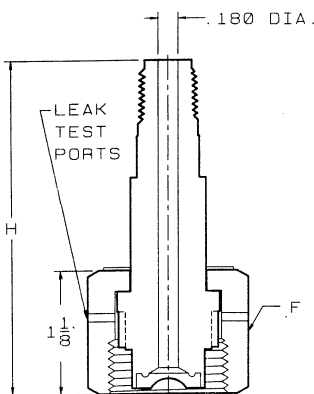
Connections Require Sealing Gasket, See Part Number Below



Tube Weld



Face Seal Male



NPT Male

CGA Number	End Connection	Part Number	H Overall Length	F Hex Flat	Internal Surface Finish
<b>632</b>	1/4" Tube Weld	INL-632SS-4TS	2.50"		
	1/4" Face Seal Male	INL-632SS-4MFS	3.00"	1 1/4"	9 Ra EP
	1/4" NPT Male	INL-632SS-4M	3.00"		
<b>634</b>	1/4" Tube Weld	INL-634SS-4TS	2.50"		
	1/4" Face Seal Male	INL-634SS-4MFS	3.00"	1 1/4"	9 Ra EP
	1/4" NPT Male	INL-634SS-4M	3.00"		
<b>636</b>	1/4" Tube Weld	INL-636SS-4TS	2.50"		
	1/4" Face Seal Male	INL-636SS-4MFS	3.00"	1 1/4"	9 Ra EP
	1/4" NPT Male	INL-636SS-4M	3.00"		
<b>638</b>	1/4" Tube Weld	INL-638SS-4TS	2.50"		
	1/4" Face Seal Male	INL-638SS-4MFS	3.00"	1 1/4"	9 Ra EP
	1/4" NPT Male	INL-638SS-4M	3.00"		
<b>640</b>	1/4" Tube Weld	INL-640SS-4TS	2.50"		
	1/4" Face Seal Male	INL-640SS-4MFS	3.00"	1 1/4"	9 Ra EP
	1/4" NPT Male	INL-640SS-4M	3.00"		
<b>642</b>	1/4" Tube Weld	INL-642SS-4TS	2.50"		
	1/4" Face Seal Male	INL-642SS-4MFS	3.00"	1 1/4"	9 Ra EP
	1/4" NPT Male	INL-642SS-4M	3.00"		
<b>712</b>	1/4" Tube Weld	INL-712SS-4TS	2.50"		
	1/4" Face Seal Male	INL-712SS-4MFS	3.00"	1 3/8"	9 Ra EP
	1/4" NPT Male	INL-712SS-4M	3.00"		
<b>714</b>	1/4" Tube Weld	INL-714SS-4TS	2.50"		
	1/4" Face Seal Male	INL-714SS-4MFS	3.00"	1 3/8"	9 Ra EP
	1/4" NPT Male	INL-714SS-4M	3.00"		
<b>716</b>	1/4" Tube Weld	INL-716SS-4TS	2.50"		
	1/4" Face Seal Male	INL-716SS-4MFS	3.00"	1 3/8"	9 Ra EP
	1/4" NPT Male	INL-716SS-4M	3.00"		
<b>718</b>	1/4" Tube Weld	INL-718SS-4TS	2.50"		
	1/4" Face Seal Male	INL-718SS-4MFS	3.00"	1 3/8"	9 Ra EP
	1/4" NPT Male	INL-718SS-4M	3.00"		
<b>720</b>	1/4" Tube Weld	INL-720SS-4TS	2.50"		
	1/4" Face Seal Male	INL-720SS-4MFS	3.00"	1 3/8"	9 Ra EP
	1/4" NPT Male	INL-720SS-4M	3.00"		
<b>722</b>	1/4" Tube Weld	INL-722SS-4TS	2.50"		
	1/4" Face Seal Male	INL-722SS-4MFS	3.00"	1 3/8"	9 Ra EP
	1/4" NPT Male	INL-722SS-4M	3.00"		
<b>724</b>	1/4" Tube Weld	INL-724SS-4TS	2.50"		
	1/4" Face Seal Male	INL-724SS-4MFS	3.00"	1 3/8"	9 Ra EP
	1/4" NPT Male	INL-724SS-4M	3.00"		
<b>726</b>	1/4" Tube Weld	INL-726SS-4TS	2.50"		
	1/4" Face Seal Male	INL-726SS-4MFS	3.00"	1 3/8"	9 Ra EP
	1/4" NPT Male	INL-726SS-4M	3.00"		
<b>728</b>	1/4" Tube Weld	INL-728SS-4TS	2.50"		
	1/4" Face Seal Male	INL-728SS-4MFS	3.00"	1 3/8"	9 Ra EP
	1/4" NPT Male	INL-728SS-4M	3.00"		
<b>632-728</b>	PCTFE Gasket	GSK-DISS-K	N/A	N/A	N/A

Items are cleaned, inspected, and double bag packaged in a Class 100 clean room.

Please Order Gasket Separately  
PN: GSK-DISS-K

Includes: Nut and Nipple